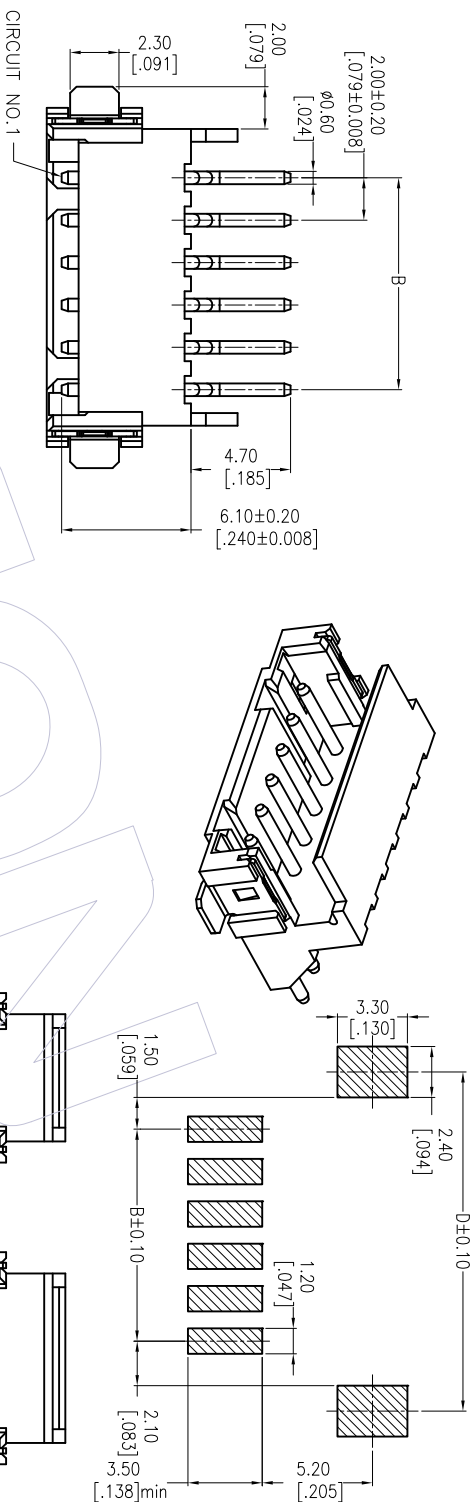


HSE

NOTES:

Current Rating: 2.0A AMP
 Contact Resistance: 10milliohm Max
 Withstand Voltage: 1000V AC/Minute
 Insulation Resistance: 1000MegoHM Min
 Operation Temperature: -25°C to +105°C
 Housing Material: PA6T(UL94V-0)
 Contact Material: Brass
 Contact plating: Sn over Ni Plating

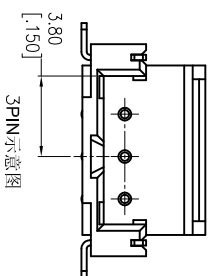
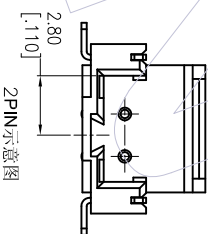
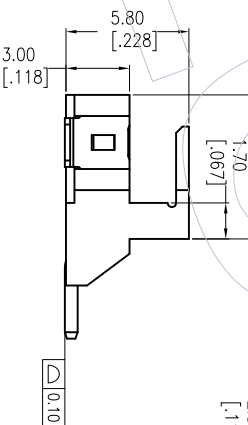
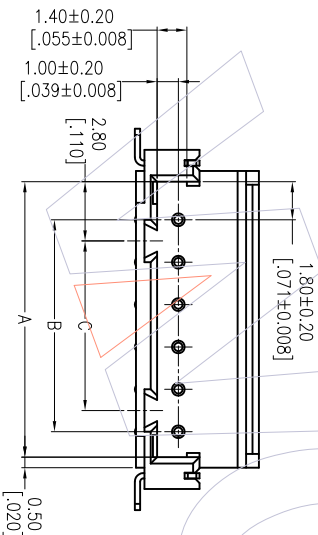
Recommended P.C.B Layout (Top Side)
 (PCB BOARD TOLERANCE ± 0.05)



Ordering Information

WZF2006A-WZXX E 01

Terminal Shape: WZ:90° SMT
 No. of Pins: 02-15P
 Colour: E:Beige



15	31.00[1.220]	28.00[1.102]	26.00[1.024]
14	29.00[1.142]	26.00[1.024]	24.00[0.945]
13	27.00[1.063]	24.00[0.945]	22.00[0.866]
12	25.00[0.984]	22.00[0.866]	20.00[0.787]
11	23.00[0.906]	20.00[0.787]	18.00[0.709]
10	21.00[0.827]	18.00[0.709]	16.00[0.630]
9	19.00[0.748]	16.00[0.630]	14.00[0.551]
8	17.00[0.669]	14.00[0.551]	12.00[0.472]
7	15.00[0.591]	12.00[0.472]	10.00[0.394]
6	13.00[0.512]	10.00[0.394]	8.00[0.315]
5	11.00[0.433]	8.00[0.315]	6.00[0.236]
4	9.00[0.354]	6.00[0.236]	4.00[0.157]
3	7.00[0.276]	4.00[0.157]	NA
2	5.00[0.197]	2.00[0.079]	NA
PIN数	A	B	C

OPERATION ±0.40

OPERATION ±0.25

OPERATION ±0.15

OPERATION ±3°

OPERATION ±0.15

OPERATION 1/1

OPERATION WZF2006A-WZXXE01

OPERATION WCON-Dongguan WCON-Kunshan

OPERATION H



Http: www.wcon.com

WCON-Dongguan WCON-Kunshan

Tel: +86 769 85358920 Tel: +86 512 57468408

Fax: +86 769 85358915 Fax: +86 512 57468468

E-mail: sales@wcon.com E-mail: sales@wcon.com

OPERATION ±0.40

OPERATION ±0.25

OPERATION ±0.15

OPERATION ±3°

OPERATION ±0.15

OPERATION 1/1

OPERATION WZF2006A-WZXXE01

OPERATION WCON-Dongguan WCON-Kunshan

OPERATION Tel: +86 769 85358920 Tel: +86 512 57468408

OPERATION Fax: +86 769 85358915 Fax: +86 512 57468468

OPERATION E-mail: sales@wcon.com E-mail: sales@wcon.com

OPERATION H

OPERATION H

OPERATION H