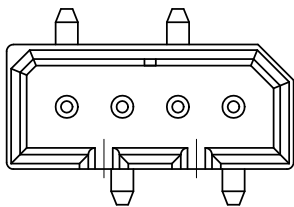
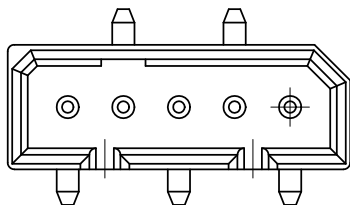


HSF

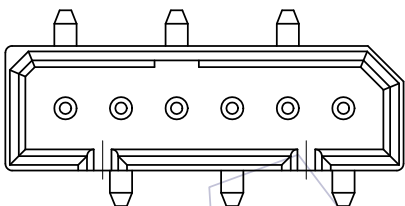
4PIN



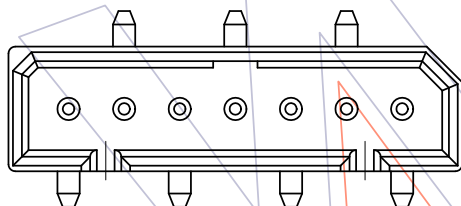
5PIN



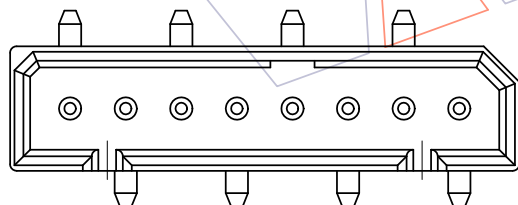
6PIN



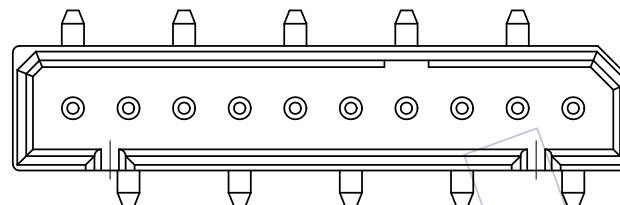
7PIN



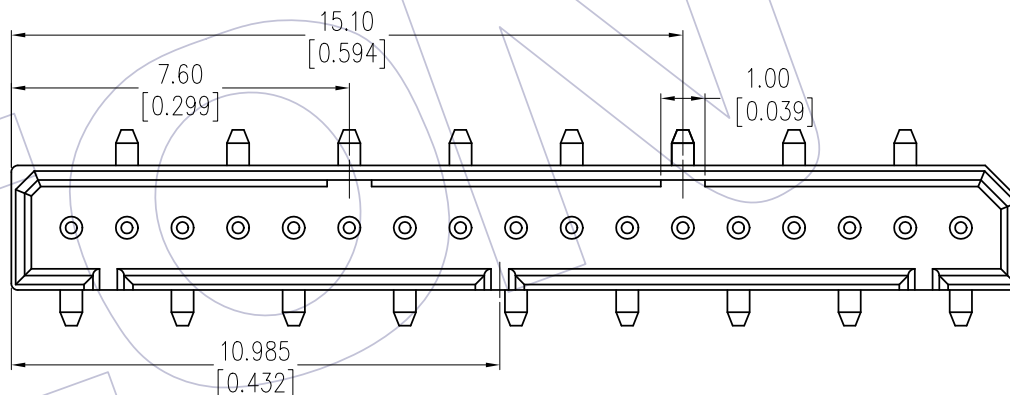
8PIN



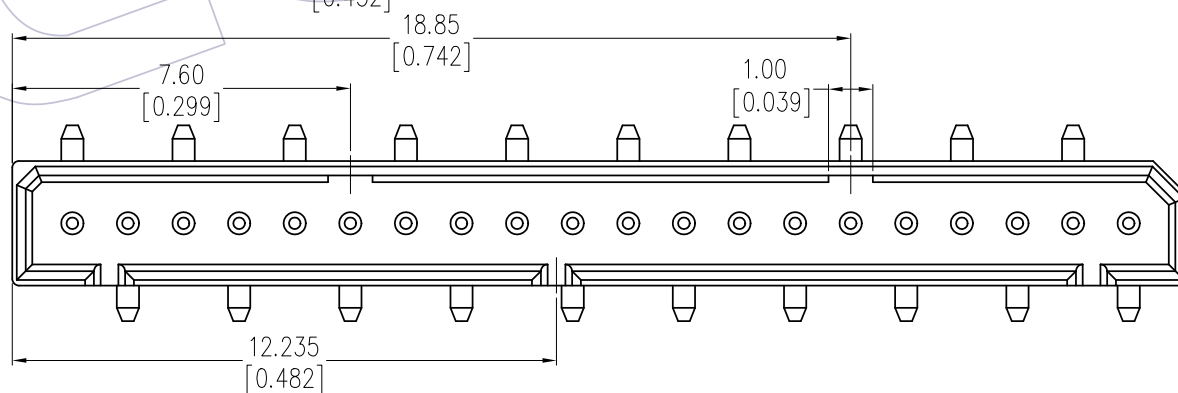
10PIN



17 PIN



20 PIN



REV	DATE	MODIFICATION DESCRIPTION	CHANGE	OPERATION	DRAW	DATE	SCALE	FIT	PART NO.
A2	2018. 11. 13	Modify	----	X.X	±0.40	2018. 11. 13	UNIT	mm	3652-PXXX-XXXXXROX
A1	2018. 01. 26	Modify	----	X.XX	±0.25	DATE	SIZE	A4	TITLE:
A0	2016. 10. 25	NEW	----	X.XXX	±0.15	DATE	SHEET	2/2	1. 25mm BTB MALE CONN, SMT TYPE
				Angle	± 3'	DATE	PROJ.		Customer NO.
				DIM	TOL				

WCON

Http: www.wcon.com

WCON-Dongguan
Tel: +86 769 85358920
Fax: +86 769 85358915
E-mail: sales@wcon.com

WCON-Kunshan
Tel: +86 512 57468408
Fax: +86 512 57468468
E-mail: salesks@wcon.com